
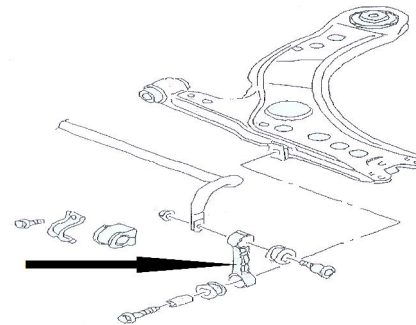


V-MAXX AUTOSPORT COILOVER SUSPENSION KITS		TÜV GOCA	YEAR	TYPE	-MM FRONT	-MM REAR		ΛΙΑΝΙΚΗ ΤΙΜΗ ΜΕ ΦΠΑ
MODEL/APPLICATION							Art.Nr.	
<b>MINI</b>								
Mini One incl. Diesel/Facelift		✓	04.02-	R50/R56	40 → 70	30 → 65	60 MN 01**	655,00
Mini Cooper incl. Diesel/Facelift		✓	04.02-	R50/R56	40 → 70	30 → 65	60 MN 01**	655,00
Mini Cooper S incl. Diesel/Facelift		✓	04.02-	R50/R56	40 → 70	30 → 65	60 MN 01**	655,00
Mini Cabrio incl. Diesel/Facelift		✓	04.02-	R50/R56	40 → 70	30 → 65	60 MN 01**	655,00
Mini Clubman incl. Diesel/Facelift		✓	07-	R50/R56	40 → 70	30 → 65	60 MN 02**	655,00
Mini Clubman Cooper S incl. Facelift		✓	07-	R50/R56	40 → 70	30 → 65	60 MN 02**	655,00

**STABILIZER-CONNECTION BOLTS**



Mini / One / Cooper / S	Art.Nr.	SBMO Kit = Adjustable	60,00
-------------------------	---------	-----------------------	-------

\*\* = ALWAYS use special stabilizer connection bolts

LOWERING MORE THAN LISTED MEASUREMENTS, WILL VOID THE WARRANTY AND IS DONE AT OWN RISK!!

IN SOME CASES WHEELSPACERS MAY BE NECESSARY AND MUST BE USED

ALWAYS ALIGN THE CAR AFTER REPLACING SUSPENSION PARTS