

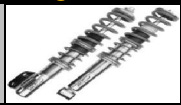


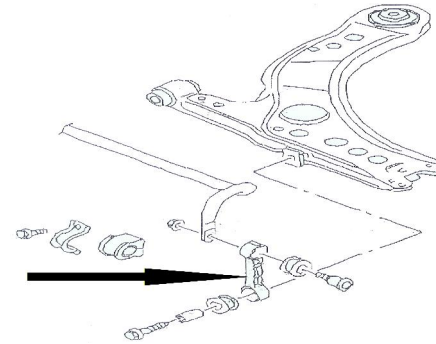
| V-MAXX AUTOSPORT COILOVER SUSPENSION KITS | TÜV GOCA | YEAR | TYPE | -MM FRONT | -MM REAR |  | ΛΙΑΝΙΚΗ ΤΙΜΗ ΜΕ ΦΠΑ |
|--|-------------|------------|--------|--------------|--------------|---|---------------------------|
| MODEL/APPLICATION | | | | | | | |
| VOLKSWAGEN | | | | | | Art.Nr. | |
| Lupo 1.0/1.4/16V/1.6GTi/1.4TDi/1.7SDi excl. 1.2TDi 3L | ✓ | 99-05 | 6X | 40 → 80 | 30 → 60 | 60 VS 07 | 480,00 |
| Fox 1.2/1.4/1.4TDi | ✓ | 05- | 5Z1 | 35 → 60 | 30 → 60 | 60 VS 12** | 540,00 |
| Polo 1.0/1.3/1.4/1.6/16V/1.9SDi/1.9TDi excl. sedan/Variant | ✓ | 8.94-6.99 | 6N/L | 40 → 80 | 40 → 80 | 60 VS 06 | 480,00 |
| Polo Sedan 1.0/1.3/1.4/1.6/16V/1.9SDi/1.9TDi excl. Variant | ✓ | 1.96-6.99 | 6KV | 40 → 80 | 40 → 80 | 60 VS 06 | 480,00 |
| Polo Variant 1.6/1.9SDi/1.9TDi | ✓ | 9.97-7.99 | 6KV | 40 → 80 | 40 → 80 | 60 VS 06 | 480,00 |
| Polo 1.0/1.4/1.6/16V/GTi/1.4TDi/1.9SDi/1.9TDi | ✓ | 7.99-02 | 6N/2 | 40 → 80 | 40 → 80 | 60 VS 062 | 540,00 |
| Polo Sedan 1.0/1.4/1.6/16V/GTi/1.4TDi/1.9SDi/1.9TDi | ✓ | 7.99-11.01 | 6N/2 | 40 → 80 | 40 → 80 | 60 VS 062 | 540,00 |
| Polo Variant 1.6/1.9SDi/1.9TDi | ✓ | 7.99-11.01 | 6N/2 | 40 → 80 | 40 → 80 | 60 VS 062 | 540,00 |
| Polo 1.2/1.4/1.6/1.8T | ✓ | 4.02- | 9N | 35 → 60 | 30 → 60 | 60 VS 12** | 540,00 |
| Polo 1.4 TDi/1.9SDi/1.9TDi | ✓ | 4.02- | 9N | 35 → 60 | 30 → 60 | 60 VS 12** | 540,00 |
| Golf I/Jetta I 1.1/1.3/1.5/1.6/1.8/GLS/GLi/GTi/1.6D/1.6TD/1.6GTD | ✓ | 74-8.83 | 17 | 25 → 80 | 25 → 80 | 60 VW 01 | 480,00 |
| Golf I Cabrio 1.1/1.3/1.5/1.6/1.8/GLS/GLi/GTi/1.6D/1.6TD/1.6GTD | ✓ | 9.79-6.93 | 155 | 25 → 80 | 25 → 80 | 60 VW 01 | 480,00 |
| Golf II/Jetta II 1.1/1.3/1.6/1.8/16V/GTi/GLi/G60/1.6D/1.6TD excl. 4WD | ✓ | 8.83-11.91 | 19E | 40 → 85 | 40 → 85 | 60 VW 02 | 480,00 |
| Golf III 1.4/1.6/1.8/2.0/GTi/8V/16V/1.9D/1.9TD/1.9GTD/1.9TDi excl. 4WD | ✓ | 10.91-9.97 | 1HXO | 40 → 85 | 40 → 85 | 60 VW 03 | 480,00 |
| Golf III 2.8 VR6/2.9 VR6 excl. 4WD | ✓ | 10.91-9.97 | 1HXO | 40 → 85 | 40 → 85 | 60 VW 03 | 480,00 |
| Golf III/IV Cabrio 1.8/2.0/1.9TDi | ✓ | 7.93-02 | 1HXO | 40 → 85 | 40 → 85 | 60 VW 03 | 480,00 |
| Golf III Variant 1.4/1.6/1.8/2.0/GTi/8V/16V/1.9D/1.9TD/1.9GTD/1.9TDi excl. 4WD | ✓ | 9.94-11.98 | 1HXO | 40 → 85 | 40 / 50 / 60 | 60 VW 08 | 480,00 |
| Golf III Variant 2.8 VR6/2.9 VR6 excl. 4WD | ✓ | 9.94-11.98 | 1HXO | 40 → 85 | 40 / 50 / 60 | 60 VW 08 | 480,00 |
| Golf IV 1.4/1.6/1.8/1.8T/2.0/2.3 V5/2.8 V6/1.9SDi/1.9TDi excl. 4Motion | ✓ | 12.98-05 | 1J | 35 → 65 | 35 → 65 | 60 AV 04** | 480,00 |
| Golf IV 4Motion 1.8/1.8T/2.0/2.3 V5/2.8 V6/1.9TDi | ✓ | 5.99-05 | 1J | 30 → 60 | 30 → 50 | 60 AV 06 | 600,00 |
| Golf IV Variant 1.4/1.6/1.8/1.8T/2.0/2.3 V5/2.8 V6/1.9SDi/1.9TDi excl. 4Motion | ✓ | 12.98-05 | 1J | 35 → 65 | 35 → 65 | 60 AV 04** | 480,00 |
| Golf IV Variant 4Motion 1.8/1.8T/2.0/2.3 V5/2.8 V6/1.9TDi | ✓ | 12.98-05 | 1J | 30 → 60 | 30 → 50 | 60 AV 06 | 600,00 |
| Golf IV R32 3.2 V6 | ✓ | 10.02-03 | 1J | 30 → 60 | 30 → 50 | 60 AV 06 | 600,00 |
| Golf V 1.4/TSi/1.6/2.0/2.0T/DSG/1.9TDi excl. Quattro (Ø 50mm!!) | ✓ | 03-08 | 1K | 30 → 70 | 30 → 75 | 60 AV 13/50 | 540,00 |
| Golf V 1.4/TSi/1.6/2.0/2.0T/DSG/1.9TDi excl. Quattro (Ø 55mm!!) | ✓ | 03-08 | 1K | 30 → 70 | 30 → 75 | 60 AV 13/55 | 540,00 |
| Golf V 1.9TDi DSG/2.0TDi/DSG (Ø 50mm!!) | ✓ | 03-08 | 1K | 30 → 70 | 30 → 75 | 60 AV 14/50 | 540,00 |
| Golf V 1.9TDi DSG/2.0TDi/DSG (Ø 55mm!!) | ✓ | 03-08 | 1K | 30 → 70 | 30 → 75 | 60 AV 14/55 | 540,00 |
| Golf V 4Motion 2.0T/2.0TDi/DSG/3.2 (Ø 50mm!!) | ✓ | 03-08 | 1K | 30 → 70 | 30 → 75 | 60 AV 15/50 | 540,00 |
| Golf V 4Motion 2.0T/2.0TDi/DSG/3.2 (Front shocks: Ø 55mm!!) | ✓ | 03-08 | 1K | 30 → 70 | 30 → 75 | 60 AV 15/55 | 540,00 |
| Golf V Plus/Variant 1.4/TSi/1.6/2.0/2.0T/DSG/1.9TDi excl. Quattro (Ø 50mm!!) | ✓ | 04-09 | 1KP/KM | 30 → 70 | 30 → 75 | 60 AV 16/50 | 540,00 |
| Golf V Plus/Variant 1.4/TSi/1.6/2.0/2.0T/DSG/1.9TDi excl. Quattro (Ø 55mm!!) | ✓ | 04-09 | 1KP/KM | 30 → 70 | 30 → 75 | 60 AV 16/55 | 540,00 |
| Golf V Plus/Variant 1.9TDi DSG/2.0TDi/DSG (Ø 50mm!!) | ✓ | 04-09 | 1KP/KM | 30 → 70 | 30 → 75 | 60 AV 17/50 | 540,00 |
| Golf V Plus/Variant 1.9TDi DSG/2.0TDi/DSG (Ø 55mm!!) | ✓ | 04-09 | 1KP/KM | 30 → 70 | 30 → 75 | 60 AV 17/55 | 540,00 |

| V-MAXX AUTOSPORT COILOVER SUSPENSION KITS | TÜV GOCA | YEAR | TYPE | -MM FRONT | -MM REAR |  | ΛΙΑΝΙΚΗ ΤΙΜΗ ΜΕ ΦΠΑ |
|--|-------------|------------|--------|--------------|--------------|---|---------------------------|
| MODEL/APPLICATION | | | | | | | |
| Golf VI 1.4/TSi/1.6/2.0/2.0T/DSG/1.9TDi excl. Quattro (Ø 50mm!!) | ✓ | 08- | 1K | 30 → 70 | 30 → 75 | 60 AV 30/50 | 540,00 |
| Golf VI 1.4/TSi/1.6/2.0/2.0T/DSG/1.9TDi excl. Quattro (Ø 55mm!!) | ✓ | 08- | 1K | 30 → 70 | 30 → 75 | 60 AV 30/55 | 540,00 |
| Golf VI 1.9TDi DSG/2.0TDi/DSG (Ø 50mm!!) | ✓ | 08- | 1K | 30 → 70 | 30 → 75 | 60 AV 31/50 | 540,00 |
| Golf VI 1.9TDi DSG/2.0TDi/DSG (Ø 55mm!!) | ✓ | 08- | 1K | 30 → 70 | 30 → 75 | 60 AV 31/55 | 540,00 |
| Golf VI 4Motion 2.0TDi (Front shocks Ø 50mm!!) | ✓ | 08- | 1K | 30 → 70 | 30 → 75 | 60 AV 32/50 | 540,00 |
| Golf VI 4Motion 2.0TDi (Front shocks: Ø 55mm!!) | ✓ | 08- | 1K | 30 → 70 | 30 → 75 | 60 AV 32/55 | 540,00 |
| Golf VI Plus/Variant 1.4/TSi/1.6/2.0/2.0T/DSG/1.9TDi excl. Quattro (Ø 50mm!!) | ✓ | 09- | 1KP/KM | 30 → 70 | 30 → 75 | 60 AV 33/50 | 540,00 |
| Golf VI Plus/Variant 1.4/TSi/1.6/2.0/2.0T/DSG/1.9TDi excl. Quattro (Ø 55mm!!) | ✓ | 09- | 1KP/KM | 30 → 70 | 30 → 75 | 60 AV 33/55 | 540,00 |
| Golf VI Plus/Variant 1.9TDi DSG/2.0TDi/DSG (Ø 50mm!!) | ✓ | 09- | 1KP/KM | 30 → 70 | 30 → 75 | 60 AV 34/50 | 540,00 |
| Golf VI Plus/Variant 1.9TDi DSG/2.0TDi/DSG (Ø 55mm!!) | ✓ | 09- | 1KP/KM | 30 → 70 | 30 → 75 | 60 AV 34/55 | 540,00 |
| Eos 1.6/2.0/2.0T/DSG/1.9TDi excl. Quattro (Ø 50mm!!) | ✓ | 04- | 1F | 30 → 70 | 30 → 75 | 60 AV 16/50 | 540,00 |
| Eos 1.6/2.0/2.0T/DSG/1.9TDi excl. Quattro (Ø 55mm!!) | ✓ | 04- | 1F | 30 → 70 | 30 → 75 | 60 AV 16/55 | 540,00 |
| Eos 1.9TDi DSG/2.0TDi/DSG/3.2 (Ø 50mm!!) | ✓ | 04- | 1F | 30 → 70 | 30 → 75 | 60 AV 17/50 | 540,00 |
| Eos 1.9TDi DSG/2.0TDi/DSG/3.2 (Ø 55mm!!) | ✓ | 04- | 1F | 30 → 70 | 30 → 75 | 60 AV 17/55 | 540,00 |
| Jetta III/Wagon 1.4/TSi/1.6/2.0/2.0T/DSG/1.9TDi excl. Quattro (Ø 50mm!!) | ✓ | 04- | 1KM | 30 → 70 | 30 → 75 | 60 AV 16/50 | 540,00 |
| Jetta III/Wagon 1.4/TSi/1.6/2.0/2.0T/DSG/1.9TDi excl. Quattro (Ø 55mm!!) | ✓ | 04- | 1KM | 30 → 70 | 30 → 75 | 60 AV 16/55 | 540,00 |
| Jetta III/Wagon 1.9TDi DSG/2.0TDi/DSG/3.2 (Ø 50mm!!) | ✓ | 04- | 1KM | 30 → 70 | 30 → 75 | 60 AV 17/50 | 540,00 |
| Jetta III/Wagon 1.9TDi DSG/2.0TDi/DSG/3.2 (Ø 55mm!!) | ✓ | 04- | 1KM | 30 → 70 | 30 → 75 | 60 AV 17/55 | 540,00 |
| New Beetle/Cabrio 1.4/1.6/1.8/1.8T/2.0/1.9TDi excl. RSi | ✓ | 98- | 9C | 35 → 65 | 30 → 60 | 60 AV 04** | 480,00 |
| Scirocco I + II 1.1/1.3/1.5/1.6/1.8/16V/GLi/GTi/GTX | ✓ | 9.74-91 | 53/B | 25 → 80 | 25 → 80 | 60 VW 01 | 480,00 |
| Scirocco III 1.4TSi/2.0TSi/2.0TDi/DSG (Front shocks Ø 55mm!!) | ✓ | 08- | 13 | 30 → 70 | 30 → 75 | 60 AV 35/55 | 540,00 |
| Corrado 1.8/G60/2.0/2.0 16V/2.9 VR6 | ✓ | 9.88-8.94 | 53i | 40 → 85 | 40 → 85 | 60 VW 02 | 480,00 |
| Vento 1.4/1.6/1.8/2.0/GTi/8V/16V/2.8 VR6/1.9D/1.9TD/1.9GTD/1.9TDi | ✓ | 10.91-9.97 | 1HXO | 40 → 85 | 40 → 85 | 60 VW 03 | 480,00 |
| Bora 1.4/1.6/1.8/1.8T/2.0/2.3 V5/2.8 V6/1.9SDi/1.9TDi excl. 4Motion | ✓ | 11.97-03 | 1J | 35 → 65 | 30 → 60 | 60 AV 04** | 480,00 |
| Bora 4Motion 1.8/1.8T/2.0/2.3 V5/2.8 V6/1.9TDi | ✓ | 5.99-5.00 | 1J | 30 → 60 | 30 → 50 | 60 AV 06 | 600,00 |
| Bora Variant 1.4/1.6/1.8/1.8T/2.0/2.3 V5/2.8 V6/1.9SDi/1.9TDi excl. 4Motion | ✓ | 12.98-04 | 1J | 35 → 65 | 30 → 60 | 60 AV 04** | 480,00 |
| Bora Variant 4Motion 1.8/1.8T/2.0/2.3 V5/2.8 V6/1.9TDi | ✓ | 12.98-04 | 1J | 30 → 60 | 30 → 50 | 60 AV 06 | 600,00 |
| Passaat 1.6/1.8/2.0/2.0 16V/1.6TD/1.9D (upper side front spring wide diam.) excl. Height adj. | ✓ | 9.87-2.97 | 35i | 40 → 80 | 40 / 50 / 60 | 60 VW 09 | 480,00 |
| Passat Variant 1.6/1.8/2.0/2.0 16V/1.9TD excl. Height adj. | ✓ | 9.87-2.97 | 35i | 40 → 80 | 40 / 50 / 60 | 60 VW 10 | 480,00 |
| Passat 1.6/1.8/1.8T/2.0/2.3 V5/2.8 V6/1.9TDi/2.5 TDi V6 excl. 4Motion | ✓ | 3.97-10.00 | 3B | 30 → 65 | 30 → 60 | 60 AV 05 | 540,00 |
| Passat Variant 1.6/1.8/1.8T/2.0/2.3 V5/2.8 V6/1.9TDi/2.5 TDi V6 excl. 4Motion | ✓ | 3.97-10.00 | 3B | 30 → 65 | 30 → 60 | 60 AV 05 | 540,00 |
| Passat 1.8/1.8T/2.0/2.3 V5/2.8 V6/1.9TDi/2.5 TDi V6 excl. 4Motion | ✓ | 11.00-05 | 3BG | 30 → 65 | 30 → 60 | 60 AV 05 | 540,00 |
| Passat Variant 1.8/1.8T/2.0/2.3 V5/2.8 V6/1.9TDi/2.5 TDi V6 excl. 4Motion | ✓ | 11.00-05 | 3BG | 30 → 65 | 30 → 60 | 60 AV 05 | 540,00 |
| Passat/Variant 1.6/2.0/2.0T/DSG/1.9TDi excl. Quattro (Ø 50mm!!) | ✓ | 04- | 3C | 30 → 70 | 30 → 75 | 60 AV 16/50 | 540,00 |

| V-MAXX AUTOSPORT COILOVER SUSPENSION KITS | TÜV GOCA | YEAR | TYPE | -MM FRONT | -MM REAR |  | ΛΙΑΝΙΚΗ ΤΙΜΗ ΜΕ ΦΠΑ |
|--|-------------|-------|-------|--------------|-------------|---|---------------------------|
| MODEL/APPLICATION | | | | | | | |
| Passat/Variant 1.6/2.0/2.0T/DSG/1.9TDi excl. Quattro (Ø 55mm!!) | ✓ | 04- | 3C | 30 → 70 | 30 → 75 | 60 AV 16/55 | 540,00 |
| Passat/Variant 1.9TDi DSG/2.0TDi/DSG (Ø 50mm!!) | ✓ | 04- | 3C | 30 → 70 | 30 → 75 | 60 AV 17/50 | 540,00 |
| Passat/Variant 1.9TDi DSG/2.0TDi/DSG (Ø 55mm!!) | ✓ | 04- | 3C | 30 → 70 | 30 → 75 | 60 AV 17/55 | 540,00 |
| Passat/Variant 4Motion 2.0T/2.0TDi/DSG/3.2 (Ø 50mm!!) | ✓ | 04- | 3C | 30 → 70 | 30 → 75 | 60 AV 18/50 | 540,00 |
| Passat/Variant 4Motion 2.0T/2.0TDi/DSG/3.2 (Ø 55mm!!) | ✓ | 04- | 3C | 30 → 70 | 30 → 75 | 60 AV 18/55 | 540,00 |
| Touran 1.6/2.0/2.0T/DSG/1.9TDi excl. Quattro (Ø 50mm!!) | ✓ | 04- | 1T | 30 → 70 | 30 → 75 | 60 AV 16/50 | 540,00 |
| Touran 1.6/2.0/2.0T/DSG/1.9TDi excl. Quattro (Ø 55mm!!) | ✓ | 04- | 1T | 30 → 70 | 30 → 75 | 60 AV 16/55 | 540,00 |
| Touran 1.9TDi DSG/2.0TDi/DSG (Ø 50mm!!) | ✓ | 04- | 1T | 30 → 70 | 30 → 75 | 60 AV 17/50 | 540,00 |
| Touran 1.9TDi DSG/2.0TDi/DSG (Ø 55mm!!) | ✓ | 04- | 1T | 30 → 70 | 30 → 75 | 60 AV 17/55 | 540,00 |
| Caddy I 1.5/1.6/1.8/1.6D (Fronts only because of Rear Leafspring) | | 82-92 | 14 | 25 → 80 | Leafspr. | 60 VW 01FC2 | 300,00 |
| Caddy II 1.4/1.6/1.9D/1.9SDi/1.9TDi (Fronts only because of Rear Leafspring) | ✓ | 96-03 | 9K | 40 → 80 | Leafspr. | 60 VS 06FC2 | 300,00 |
| Caddy III 1.6/2.0/2.0SDi/1.9TDi excl.DSG (Ø 50mm!!) incl. REAR Leaf-Spring Adjuster!! | ✓ | 04- | 2KA | 50 → 90 | 50 → 80 | 60 VW 20/50 | 655,00 |
| Caddy III 1.6/2.0/2.0SDi/1.9TDi excl.DSG (Ø 55mm!!) incl. REAR Leaf-Spring Adjuster!! | ✓ | 04- | 2KA | 50 → 90 | 50 → 80 | 60 VW 20/55 | 655,00 |
| Caddy III 1.9TDi DSG/2.0TDi/DSG (Ø 50mm!!) incl. REAR Leaf-Spring Adjuster!! | ✓ | 04- | 2KA | 50 → 90 | 50 → 80 | 60 VW 21/50 | 655,00 |
| Caddy III 1.9TDi DSG/2.0TDi/DSG (Ø 55mm!!) incl. REAR Leaf-Spring Adjuster!! | ✓ | 04- | 2KA | 50 → 90 | 50 → 80 | 60 VW 21/55 | 655,00 |
| Caddy Maxi/Life 1.6/2.0/2.0SDi/1.9TDi excl.DSG (Ø 50mm!!) incl. REAR Leaf-Spring Adjuster!! | ✓ | 04- | 2KA | 50 → 90 | 50 → 80 | 60 VW 22/50 | 655,00 |
| Caddy Maxi/Life 1.6/2.0/2.0SDi/1.9TDi excl.DSG (Ø 55mm!!) incl. REAR Leaf-Spring Adjuster!! | ✓ | 04- | 2KA | 50 → 90 | 50 → 80 | 60 VW 22/55 | 655,00 |
| Caddy Maxi/Life 1.9TDi DSG/2.0TDi/DSG (Ø 50mm!!) incl. REAR Leaf-Spring Adjuster!! | ✓ | 04- | 2KA | 50 → 90 | 50 → 80 | 60 VW 23/50 | 655,00 |
| Caddy Maxi/Life 1.9TDi DSG/2.0TDi/DSG (Ø 55mm!!) incl. REAR Leaf-Spring Adjuster!! | ✓ | 04- | 2KA | 50 → 90 | 50 → 80 | 60 VW 23/55 | 655,00 |
| Transporter T4 incl. Syncro | ✓ | 91-03 | 70X/D | Torsion | 45 → 70 | *** | |
| Multivan / Caravelle / Bus T4 incl. Syncro | ✓ | 91-03 | 70X/D | Torsion | 45 → 70 | *** | |
| Transporter T5 2.0/3.2 V6/1.9TDi/2.5TDi/4Motion | ✓ | 03- | 7H | 45 → 75 | 45 → 70 | *** | |
| Multivan / Bus T5 2.0/3.2 V6/1.9TDi/2.5TDi/4Motion | ✓ | 03- | 7H | 45 → 75 | 45 → 70 | *** | |

| V-MAXX AUTOSPORT COILOVER SUSPENSION KITS | TÜV GOCA | YEAR | TYPE | -MM FRONT | -MM REAR |  | ΛΙΑΝΙΚΗ ΤΙΜΗ ΜΕ ΦΠΑ |
|--|-------------|------|------|--------------|-------------|---|---------------------------|
| MODEL/APPLICATION | | | | | | | |
| | | | | | | | |

STABILIZER-CONNECTION BOLTS



| | | | |
|--|---------|------------------------------|--------------|
| VW Golf IV/ VW Bora / VW New Beetle 2WD | Art.Nr. | SBG4 Kit = Adjustable | 60,00 |
| Seat Ibiza 6L / Skoda Fabia / VW Polo 9N / Fox | Art.Nr. | SBMO Kit = Adjustable | 60,00 |

** = **ALWAYS** use special stabilizer connection bolts

*** = In preparation

LOWERING MORE THAN LISTED MEASUREMENTS, WILL VOID THE WARRANTY AND IS DONE AT OWN RISK!!

IN SOME CASES WHEELSPACERS MAY BE NECESSARY AND MUST BE USED

ALWAYS ALIGN THE CAR AFTER REPLACING SUSPENSION PARTS